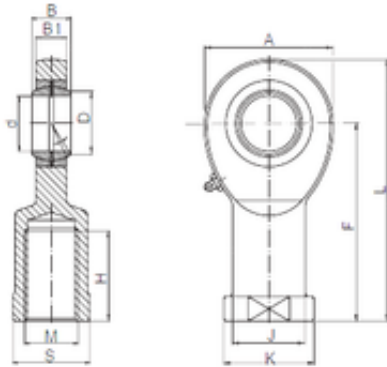




LY?MANUFACTURING CO.,LTD.

ISO SIL 10 plain bearings



Bearing No. SIL 10

Bore Diameter	10 mm
d	10 mm
B	14 mm
A	28 mm
B1	10,5 mm
D	12,9 mm
F	43 mm
H	20 mm
J	15 mm
K	19 mm
L	57 mm
S	17 mm
Bolt (G)	M10

SIL 10 Bearing 2D drawings and 3D CAD models