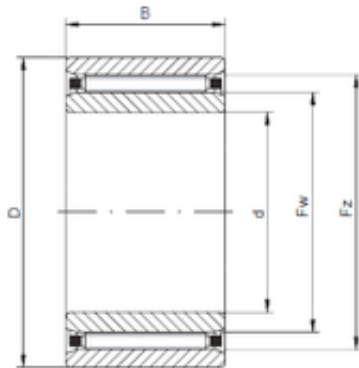




LY?MANUFACTURING CO.,LTD.

ISO NAO25x42x32 cylindrical roller bearings



Bearing No. NAO25x42x32

Size	25x42x32 mm
Bore Diameter	25 mm
Outer Diameter	42 mm
Width	32 mm
d	25 mm
Fw	30 mm
D	42 mm
Ew	37 mm
B	32 mm
C	32 mm

NAO25x42x32 Bearing 2D drawings and 3D CAD models