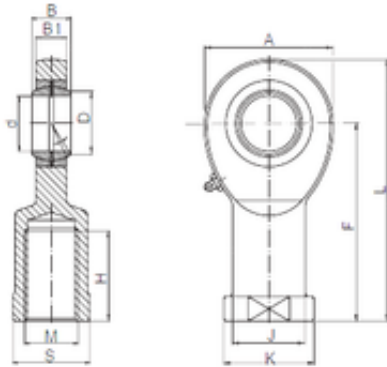




LY?MANUFACTURING CO.,LTD.

ISO SI 20 plain bearings



Bearing No. SI 20

Bore Diameter	20 mm
d	20 mm
B	25 mm
A	50 mm
B1	18 mm
D	24,3 mm
F	77 mm
H	33 mm
J	27,5 mm
K	34 mm
L	102 mm
S	32 mm
Bolt (G)	M20x1,5

SI 20 Bearing 2D drawings and 3D CAD models