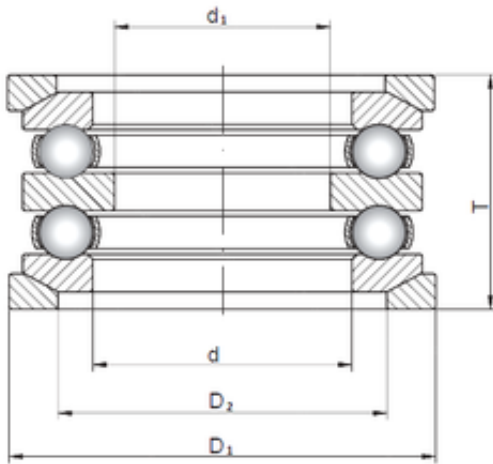




LY?MANUFACTURING CO.,LTD.

ISO 54315U+U315 thrust ball bearings

Bearing No. 54315U+U315



Bore Diameter	77 mm
d	77 mm
d1	60 mm
D1	140 mm
D2	105 mm
T	95 mm

54315U+U315 Bearing 2D drawings and 3D CAD models