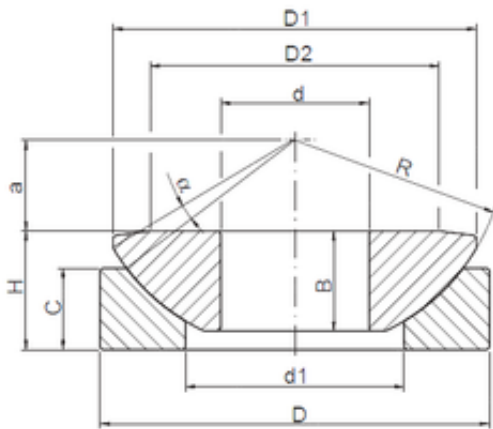




LY?MANUFACTURING CO.,LTD.



ISO GW 360 plain bearings

Bearing No. GW 360

Size	360x560x125 mm
Bore Diameter	360 mm
Outer Diameter	560 mm
Width	125 mm
d	360 mm
D	560 mm
H	125 mm
a	95 mm
d1	400 mm
B	115 mm
C	95 mm
D1	535 mm
D2	452 mm
R	575 mm
Angle	4 °

GW 360 Bearing 2D drawings and 3D CAD models