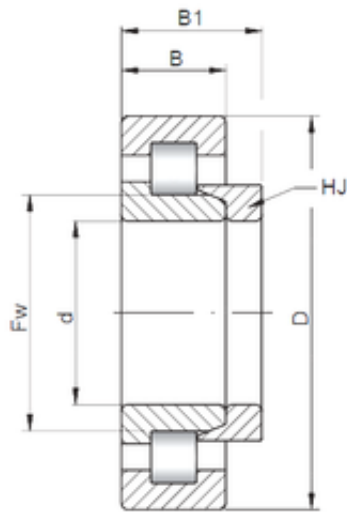




LY?MANUFACTURING CO.,LTD.



ISO NH1084 cylindrical roller bearings

Bearing No. NH1084

Size	420x620x90 mm
Bore Diameter	420 mm
Outer Diameter	620 mm
Width	90 mm
d	420 mm
D	620 mm
B	90 mm
C	90 mm
B1	23 mm
B2	43 mm

NH1084 Bearing 2D drawings and 3D CAD models