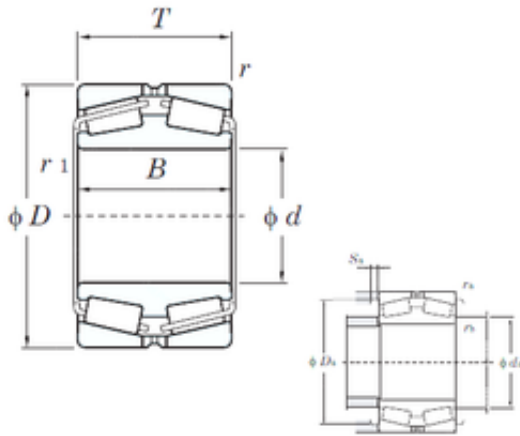




LY?MANUFACTURING CO.,LTD.

KOYO 45320 tapered roller bearings



Bearing No. 45320

Size	100x165x52 mm
Bore Diameter	100 mm
Outer Diameter	165 mm
Width	52 mm
d	100 mm
D	165 mm
T	52 mm
B	52 mm
r min.	2 mm
r1 min.	2,5 mm
da max	118,8 mm
Db min.	147,8 mm
ra max.	2 mm
rb max.	2 mm
Db max	155 mm
Weight	4,26 Kg
Basic dynamic load rating (C)	237 kN
Basic static load rating (C0)	384 kN
(Grease) Lubrication Speed	1800 r/min
(Oil) Lubrication Speed	2300 r/min
Calculation factor (e)	0,35
Calculation factor (Y0)	1,91
Bearing No.	45320
r(min)	2
r1(min)	2.5
Cr	298

45320 Bearing 2D drawings and 3D CAD models



LY?MANUFACTURING CO.,LTD.

C0r	384
Cu	28.0
Grease lub.	1800
Oil lub.	2300
da(max)	119
Da(max)	155
Da(min)	148
Sa(min)	3.9
ra(max)	2
rb(max)	2
e	0.35
Y2	1.95
Y3	2.90
Y0	1.91
(Refer.) Mass(kg)	4.26