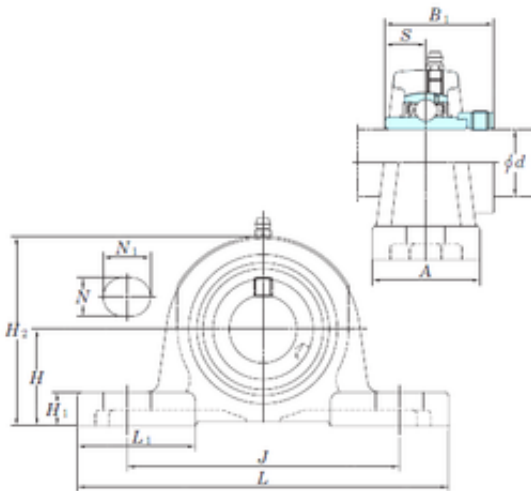




# LY?MANUFACTURING CO.,LTD.

## KOYO NAP202 bearing units

Bearing No. NAP202



NAP202 Bearing 2D drawings and 3D CAD models

Bore Diameter	15 mm
Width	30,2 mm
d	15 mm
A	38 mm
B1	43,7 mm
H	30,2 mm
H1	12 mm
H2	60 mm
J	95 mm
L	127 mm
L1	38 mm
N	13 mm
N1	18 mm
S	17,1 mm
Bolt (G)	M10
Weight	0,69 Kg
Basic dynamic load rating (C)	12,8 kN