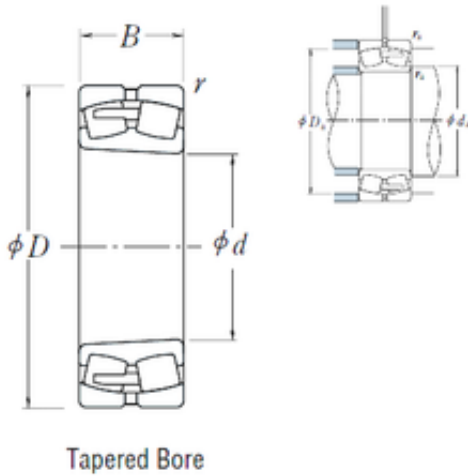




LY?MANUFACTURING CO.,LTD.

NSK 232/950CAKE4 spherical roller bearings

Bearing No. 232/950CAKE4



232/950CAKE4 Bearing 2D drawings and 3D CAD models

Size	950x1660x530 mm
Bore Diameter	950 mm
Outer Diameter	1660 mm
Width	530 mm
d	950 mm
D	1660 mm
B	530 mm
C	530 mm
r min.	15 mm
da min.	1014 mm
Da min	1428 mm
Da max.	1596 mm
ra max.	12 mm
Weight	4800 Kg
Basic dynamic load rating (C)	24700 kN
Basic static load rating (C0)	50500 kN
(Grease) Lubrication Speed	100 r/min
(Oil) Lubrication Speed	130 r/min
Calculation factor (e)	0,32
Calculation factor (Y0)	2,1
Calculation factor (Y2)	3,1