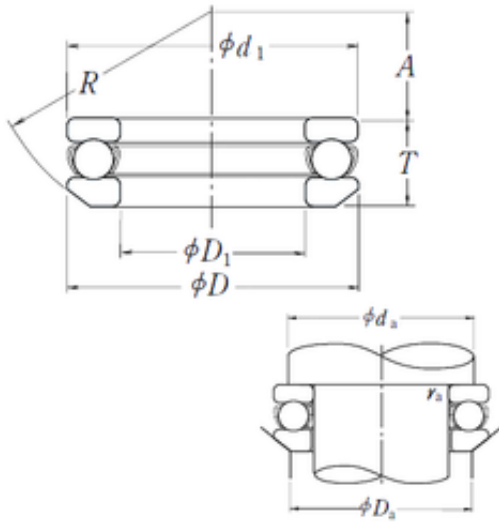




# LY?MANUFACTURING CO.,LTD.



## NSK 53244X thrust ball bearings

Bearing No. 53244X

Size	220x300x65.6 mm
Bore Diameter	220 mm
Outer Diameter	300 mm
Width	65,6 mm
d	220 mm
D	300 mm
T	65,6 mm
d1	297 mm
r min.	2 mm
A	118 mm
D1	224 mm
R	225 mm
da min.	268 mm
Da max.	252 mm
ra max.	2 mm
Weight	14,9 Kg
Basic dynamic load rating (C)	325 kN
Basic static load rating (C0)	1210 kN
(Grease) Lubrication Speed	670 r/min
SRI	15.43
hidYobi	53244X
LangID	1
D_	300
SREX	0.1
C	325
B_	65.6

53244X Bearing 2D drawings and 3D CAD models



## LY?MANUFACTURING CO.,LTD.

hidTable	ecat_NSSDTB
Oil rpm	1000
SRE	15.43
mass	14.9
GRS rpm	670
ra	2
SRIX	0.1
D_a	252
SRIN	0
C0	1210
SREN	0
D_1	224
Prod_Type3	TB_SD_WAS
da	268
DA_	28.575
Z_	24
yobi	53244X
A_	118
T3	65.6
SDM_	260
r	2
KBRG	512
R_	225