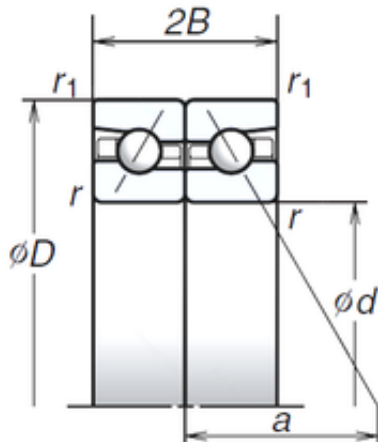




# LY?MANUFACTURING CO.,LTD.

## NSK 120BAR10H angular contact ball bearings



Bearing No. 120BAR10H

Size	120x180x27 mm
Bore Diameter	120 mm
Outer Diameter	180 mm
Width	27 mm
d	120 mm
D	180 mm
B	27 mm
C	27 mm
Angle ( )	30 °
a	56,8 mm
r min.	2 mm
r1 min.	1 mm
2B	54 mm
Weight	2,114 Kg
Basic dynamic load rating (C)	57 kN
Basic static load rating (C0)	141 kN
(Grease) Lubrication Speed	5 700 r/min
(Oil) Lubrication Speed	7 000 r/min

120BAR10H Bearing 2D drawings and 3D CAD models