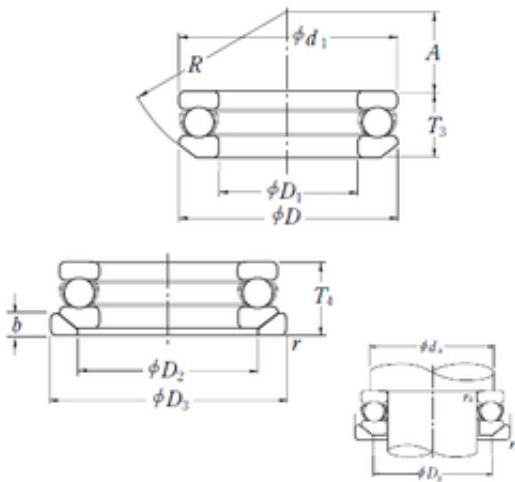




NSK 53213U thrust ball bearings

Bearing No. 53213U



53213U Bearing 2D drawings and 3D CAD models

Size	65x100x32 mm
Bore Diameter	65 mm
Outer Diameter	100 mm
Width	32 mm
d	65 mm
D	100 mm
T	32 mm
b	9 mm
d1	100 mm
r min.	1 mm
A	40 mm
D1	67 mm
D2	82 mm
D3	105 mm
R	80 mm
da min.	86 mm
Da max.	79 mm
ra max.	1 mm
Weight	0,989 Kg
Basic dynamic load rating (C)	75,5 kN
Basic static load rating (C0)	189 kN
(Grease) Lubrication Speed	1900 r/min
SRI	6.85
hidYobi	53213U
LangID	1
D_	100



LY?MANUFACTURING CO.,LTD.

SREX	0.05
C	75.5
B_	32
hidTable	ecat_NSSDTB
Oil rpm	2800
SRE	6.85
mass	0.989
GRS rpm	1900
ra	1
SRIX	0.05
T4	32
D_3	105
D_a	79
SRIN	0
C0	189
D_2	82
SREN	0
D_1	67
Prod_Type3	TB_SD_WASW
da	86
DA_	12.7
Z_	19
yobi	53213U
A_	40
T3	28.7
SDM_	82.5
r	1
KBRG	5131
R_	80