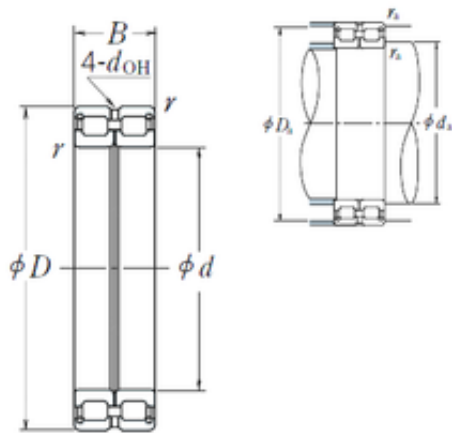




NSK RS-4921E4 cylindrical roller bearings



Bearing No. RS-4921E4

RS-4921E4 Bearing 2D drawings and 3D CAD models

Size	105x145x40 mm
Bore Diameter	105 mm
Outer Diameter	145 mm
Width	40 mm
d	105 mm
D	145 mm
B	40 mm
C	40 mm
r min.	1,1 mm
da min.	111,5 mm
Da max.	138,5 mm
ra max.	1 mm
Weight	2,05 Kg
Basic dynamic load rating (C)	199 kN
Basic static load rating (C0)	420 kN
(Grease) Lubrication Speed	950 r/min
hidYobi	RS-4921E4
LangID	1
D_	145
B_	40
hidTable	ecat_NSCLDRS
Oil rpm	950
mass	2.05
GRS rpm	1900
ra	1
da_min	111.5



LY?MANUFACTURING CO.,LTD.

C0	420
DE_	135.5
Prod_Type3	CRB_FRFS_OT_FIX
DA_	9
Z_	44
yobi	RS-4921E4
da_max	138.5
SDM_	126.5
r	1.1
KBRG	4220
DI_	117.5
doh	3