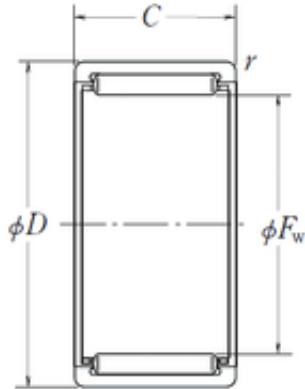




LY?MANUFACTURING CO.,LTD.

NSK RLM304030 needle roller bearings



Bearing No. RLM304030

Size	30x40x30 mm
Bore Diameter	30 mm
Outer Diameter	40 mm
Width	30 mm
Fw	30 mm
D	40 mm
C	30 mm
r min.	0,5 mm
Weight	0,09 Kg
Basic dynamic load rating (C)	35 kN
Basic static load rating (C0)	56 kN
(Grease) Lubrication Speed	7100 r/min
hidYobi	RLM304030
LangID	1
D_	40
B_	30
hidTable	ecat_NSMRNR
GRS rpm	7100
ra	0.5
C0	56
C1_	30
DE_	37
SLR	23.8
Prod_Type3	NRB_S_RLM
d	30
DA_	3.5

RLM304030 Bearing 2D drawings and 3D CAD models



LY?MANUFACTURING CO.,LTD.

Z_	18
SI	0
yobi	RLM304030
da_max	36
OIL rpm	12000
SDM_	33.5
r	0.5
KBRG	8312
mass1	0.09