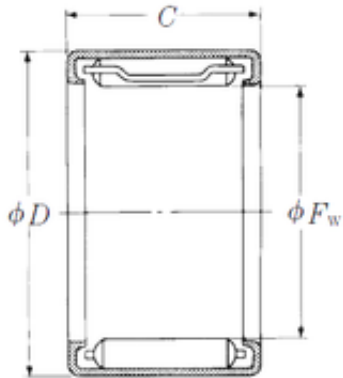




LY?MANUFACTURING CO.,LTD.

NSK FJL-1015 needle roller bearings



Bearing No. FJL-1015

Size	10x17x15 mm
Bore Diameter	10 mm
Outer Diameter	17 mm
Width	15 mm
Fw	10 mm
D	17 mm
C	15 mm
Weight	0,011 Kg
Basic dynamic load rating (C)	7,85 kN

FJL-1015 Bearing 2D drawings and 3D CAD models