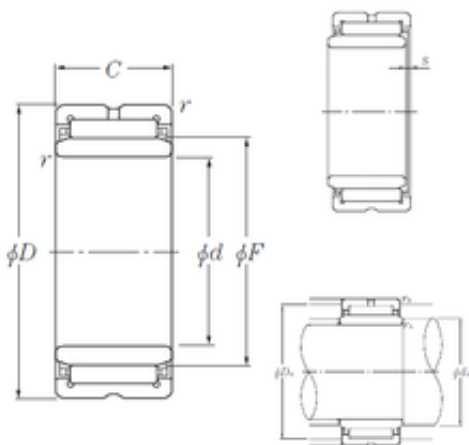




NTN NA5910 needle roller bearings

Bearing No. NA5910



NA5910 Bearing 2D drawings and 3D CAD models

Size	50x72x30 mm
Bore Diameter	50 mm
Outer Diameter	72 mm
Width	30 mm
d	50 mm
F	58 mm
D	72 mm
B	30 mm
C	30 mm
r min.	0,6 mm
s	1 mm
da min.	54 mm
Da max.	68 mm
ra max.	0,6 mm
Weight	0,498 Kg
Basic dynamic load rating (C)	58 kN
Basic static load rating (C0)	110 kN
(Grease) Lubrication Speed	4 700 r/min
rs min	0.6 mm
s max	1 mm
Dw	4.5 mm
Lw	23.8 mm
Lubrication hole on outer ring	Oui/Yes
k	3 mm
Lubrication hole on inner	Non/No



LY?MANUFACTURING CO.,LTD.

ring	
Radial clearance class	CN
Precision class	P0
Mass	0.5 kg
Cr	58 kN
C0r	110 kN
Nlim (grease)	4,700 rpm
Nlim (oil)	7,000 rpm
Min operating temperature, Tmin	-20 ° C
Max operating temperature, Tmax	120 ° C
Characteristic cage frequency, FTF	0.46 Hz
Characteristic rolling element frequency, BSF	13.82 Hz
Characteristic outer ring frequency, BPF0	12.53 Hz
Characteristic inner ring frequency, BPF1	14.47 Hz
da min	54 mm
Da max	68 mm
ras max	0.6 mm
Category	Roller Bearings
Inventory	0.0
Manufacturer Name	NTN
Minimum Buy Quantity	N/A
Weight / Kilogram	0.39
EAN	4547359113747
Product Group	B04144
bore diameter:	50 mm
maximum rpm:	7000 RPM
outside diameter:	72 mm
flanges:	No Flange



LY?MANUFACTURING CO.,LTD.

overall width:	30 mm
series:	NA59
needle bearing type:	Machined Bearing with Inner Ring
lubrication hole type:	No Hole
closure type:	Open
precision rating:	Not Rated
dynamic load capacity:	5950 kgf
standards met:	JIS B 1512
static load capacity:	11200 kgf